

## DRIVING SIMULATOR FOR DRIVER TRAINING

### Dedicated to Hitachi Rigid Dump Trucks

- Increasing mine productivity and safety by improving operator's skills.
- Easy integration of mine-specific rules into operator training.
- Efficient learning about correct operation specific to Hitachi rigid dump trucks.



Hitachi EH5000AC-3



Equipped with real vehicle parts

The console is equipped with real vehicle parts to realize real-world operability.



Equipped with a rear console

In the system, a basic driver training function and a vehicle troubleshooting training function are equipped as standard.



Vehicle status display function

A liquid-crystal display is used to indicate the vehicle's status.



Geographical CG based on point cloud data

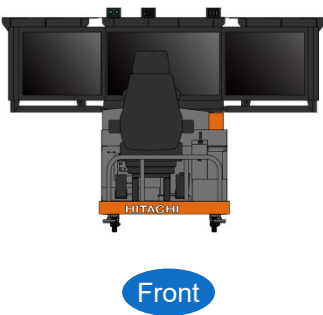
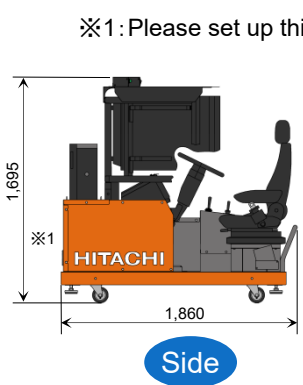
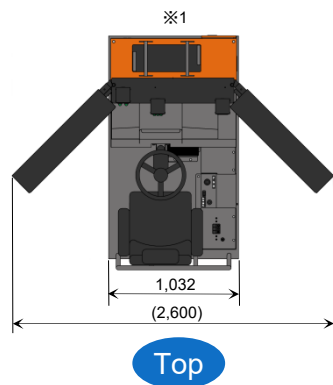
Standard geographical point cloud data actually measured in the field is customized to convert the geographical features of a specific mine into a CG image.



Three, 42-inch large displays

Three large displays are used to display the CG image of the front and both sides to provide realistic images.

## ● Dimensional diagrams of the outside features (Unit: mm)



※1: Please set up this system 1,000mm or more away from a wall.

## ● Specifications

Type	DT-N02 series	
Applicable model	Hitachi Rigid Dump Truck EH5000AC-3	
Display composition	42" x 3 panels	
Geographical CG	Geographical CG based on point cloud data	
Power supply	100-240 V AC, 50/60 Hz, 15 A maximum (at 100 V AC)	
Outside dimensions	2,600(W) × 1,860(D) × 1,695(H) mm	
Mass	Approx. 450 kg	
Temperature/humidity	10-35°C during operation, 0-50°C in a non-operation state, 20-80%RH (no condensation)	
Accessories	Trainer PC x 1 unit	
Options	Applicable models	Hitachi Rigid Dump Trucks EH3500AC II, EH4000AC II and AC-3 series Trolley assisted trucks for each model
	Geographical CG	Geographical CG based on point cloud data measured for a specific mine

## ● Main training functions

Basic training function	<b>Function for training basic driver operations</b> This function is used to teach starting and stopping the engine, driving the vehicle, loading, dumping and other basic driving skills. The trainer can set day/night, weather, and other CG environmental conditions as desired.
Troubleshooting function	<b>Function for training vehicle troubleshooting</b> This function is used to simulate accidents due to erroneous operations and vehicle malfunctions such as engine troubles, as desired, to thereby teach the appropriate methods of troubleshooting.
Guide messaging function	<b>Function for displaying guide messages according to an operator's rank</b> This function displays guide messages according to the operator's rank (i.e., elementary, intermediate, or advanced) on a large display, to thereby teach the appropriate operation procedures.
Knowledge test function	<b>Function for allowing trainees to acquire the knowledge necessary for driving in the form of a quiz</b> This function is used to let trainees to acquire basic knowledge regarding vehicle construction, operating parts, warning displays, and others. The basic knowledge is tested with four choice questions which are displayed on the large display.
Function for assessing the result evaluation	<b>Function for scoring training and test results</b> A database of evaluation results is used to identify the weaknesses of each operator, and this allows the operator to overcome such weaknesses.

	<b>Notice</b> ● Carefully read the operation manual beforehand to ensure correct use.
--	---

### Hitachi Power Solutions Co., Ltd.

Omika Branch Office, Digital Engineering Division  
28-1, Omika-cho, 4-chome, Hitachi-shi, Ibaraki-ken, 319-1221 Japan  
TEL +81-294-53-0912

Service & Digital Marketing Dept. Corporate Sales & Marketing Group  
7, Kandamitoshiro-cho, Chiyoda-ku, Tokyo 101-0053 Japan  
TEL +81-3-5577-8193

- Product specifications are subject to change without prior notice for the sake of improvement.
- The product colors represented in this document are those resulting from the form of a printout. Note that the colors may slightly be different from those of the actual product.
- © Hitachi Power Solutions Co., Ltd. 2021 All rights reserved.

URL : [http://www.hitachi-power-solutions.com/en/service/digital/driving\\_simulator/index.html](http://www.hitachi-power-solutions.com/en/service/digital/driving_simulator/index.html)

● For inquiries, please contact the following: